



VALVOLA UNIDIREZIONALE TENUTA A SFERA

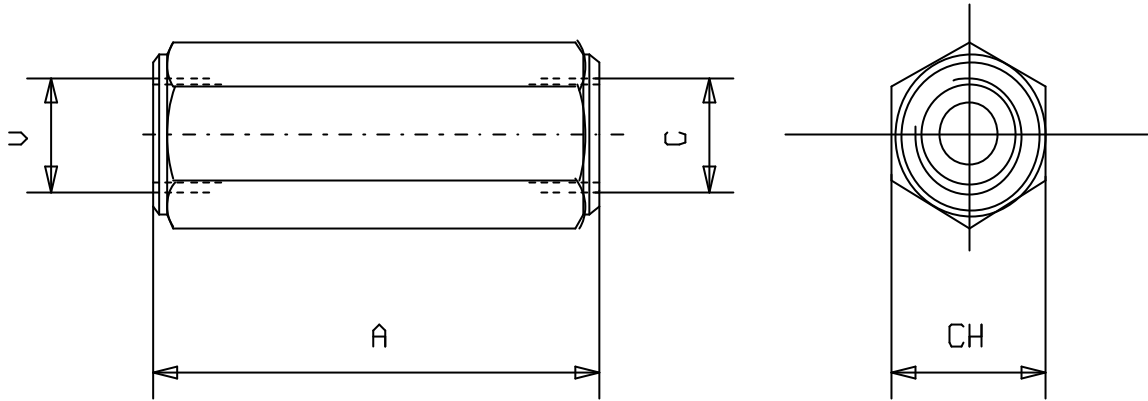
CHECK VALVES, BALL TYPE, LINE MOUNTING

Tipo/Type:

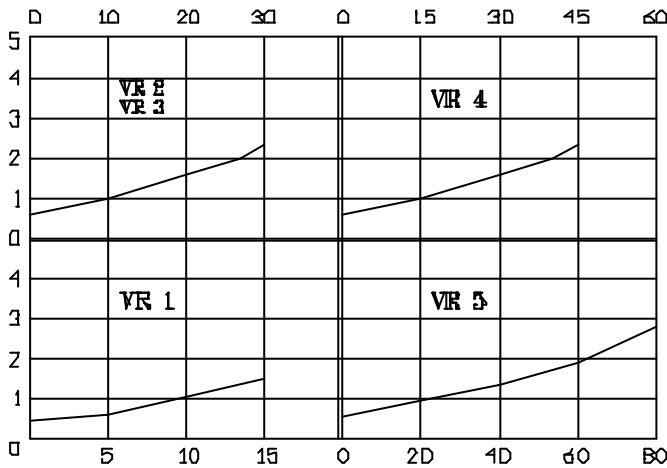
VR

1

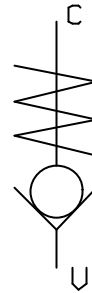
01.00



Pressione - Pressure  $\Delta p$  (Bar)



Portata - Flow Q ( l/min )



CODICE	U - C	A	CH	Portata Q (l/min)	Press. max. (Bar)	Cracking pressure (Bar)
VR 1	G 1/4	62	19	18	350	0.5
VR 2	G 3/8	68	24	30	350	0.5
VR 3	M18x1.5	68	24	30	350	0.5
VR 4	G 1/2	78	27	50	300	0.5
VR 5	G 3/4	88	36	90	300	0.5