



VALVOLA DI BLOCCO PILOTATA SEMPLICE EFFETTO
IN LINEA

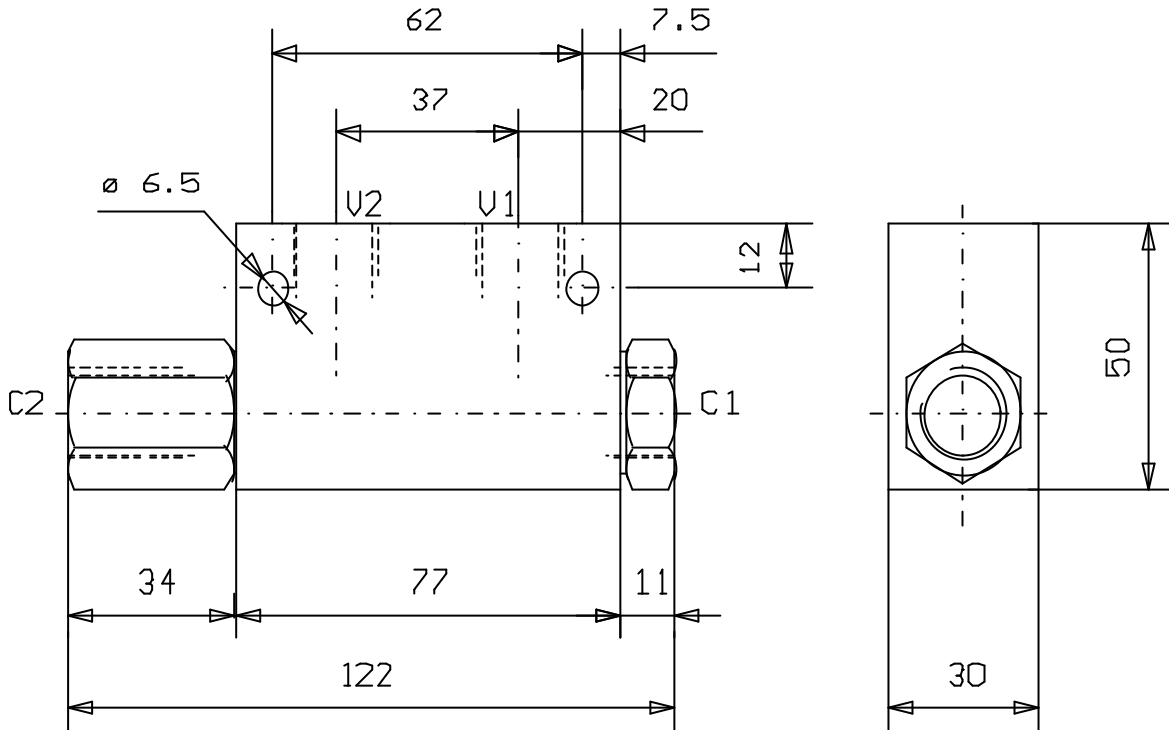
PILOT OPERATED CHECK VALVES, INTERNAL PILOT, OPERATED TYPE, SINGLE ACTING,
LINE MOUNTING

Tipo/Type:

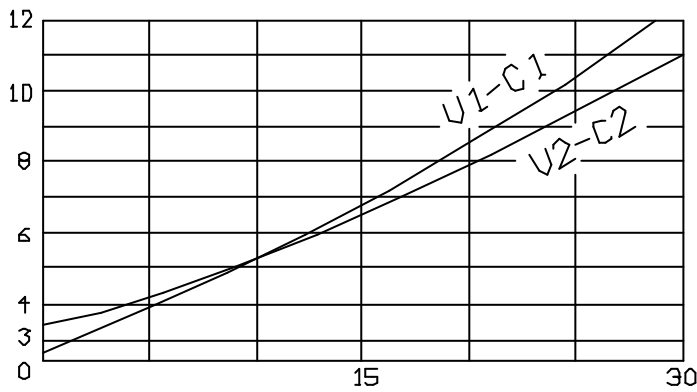
VRP/S/C 38

1

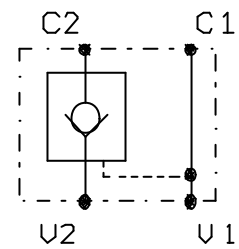
13.00



Pressione - Pressura Δp (Bar)



Portata - Flow Q (l/min)



U1 - C1 U2 - C2	Press. max. (Bar)	Apertura (Bar)	Rapp. pilot.
G 3/8	350	0.5 4	3.2:1