



**VALVOLA DI BLOCCO PILOTATA SEMPLICE EFFETTO
IN LINEA CON RUBINETTO (DESTRA)**

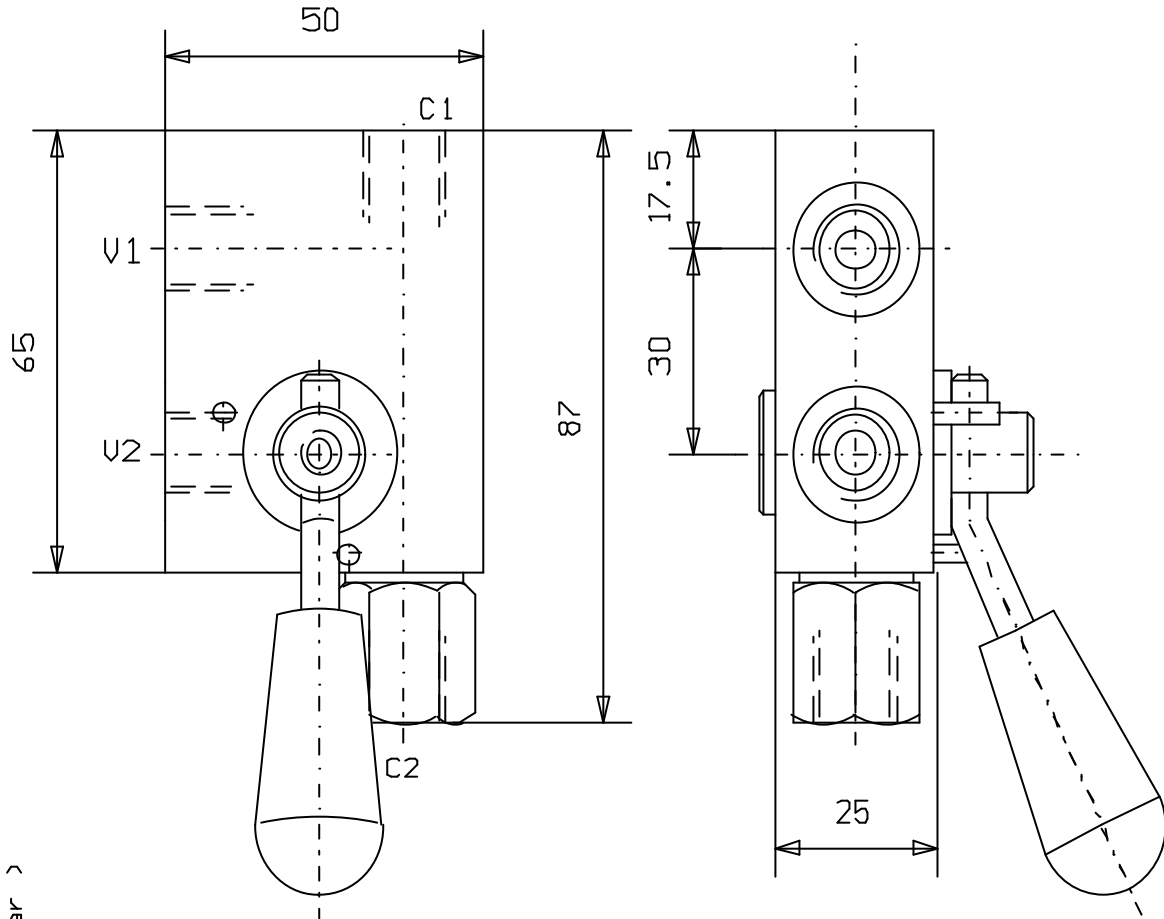
PILOT OPERATED CHECK VALVES, INTERNAL PILOT, OPERATED TYPE, SINGLE ACTING,
LINE MOUNTING, WITH MANUAL LEVER CONTROL (RH)

Tipo/Type:

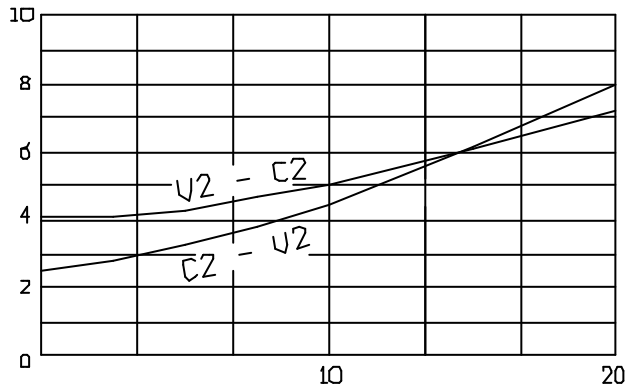
VUPR/D 14

1

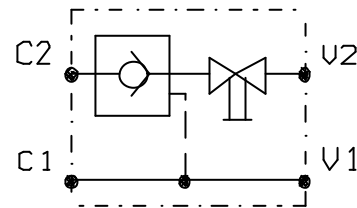
14.00



Pressione - Pressure Δp (Bar)



Portata - Flow Q (L/min)



U1 - C1 U2 - C2	Press. max. (Bar)	Apertura (Bar)	Rapp. pilot.
G 1/4	350	0.5 4	4.7:1