



**VALVOLA DI BLOCCO PILOTATA SEMPLICE EFFETTO
IN LINEA CON RUBINETTO (DESTRA)**

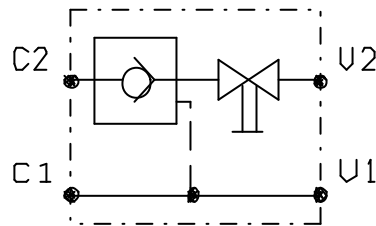
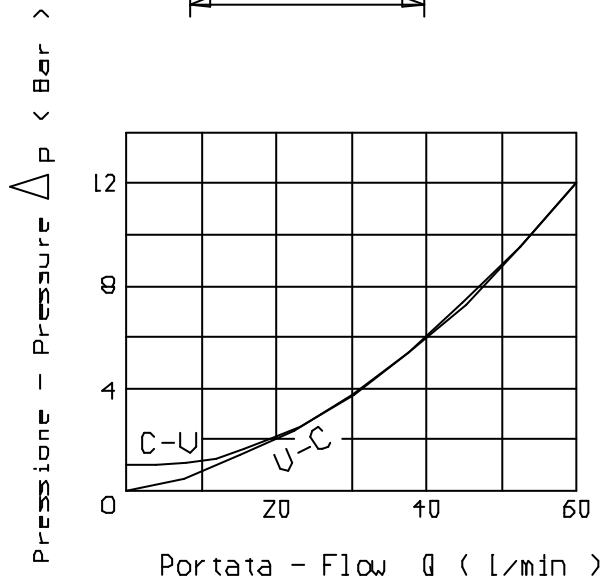
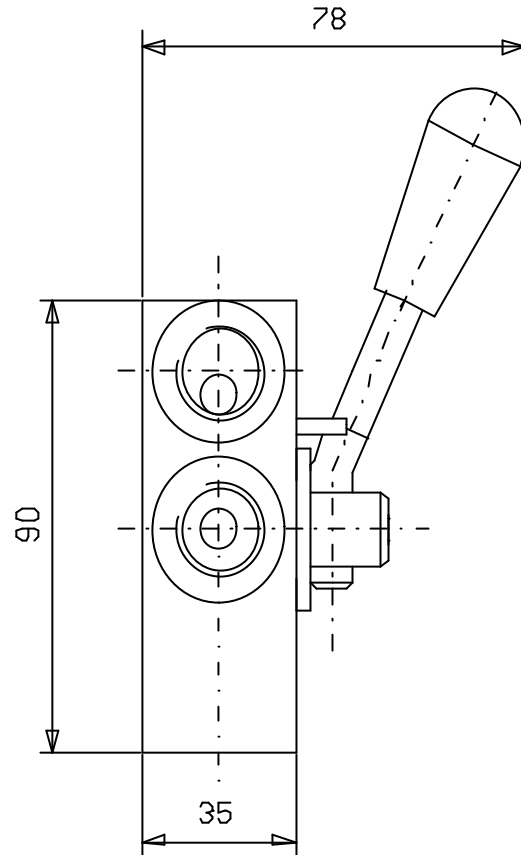
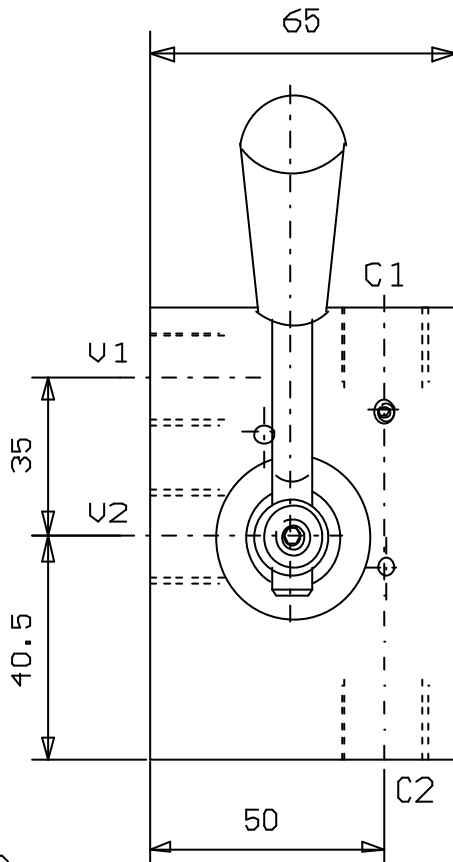
PILOT OPERATED CHECK VALVES, INTERNAL PILOT, OPERATED TYPE, SINGLE ACTING,
WITH MANUAL LEVER CONTROL (RH/LH), FACE MOUNTING

Tipo/Type:

VUPR/D 120

1

15.10



U1 - C1 U2 - C2	Press. max. (Bar)	Apertura (Bar)	Rapp. pilot.
G 1/2	350	0.5	4:1