



**VALVOLA DI BLOCCO PILOTATA SEMPLICE EFFETTO
IN LINEA CON RUBINETTO (SINISTRA)**

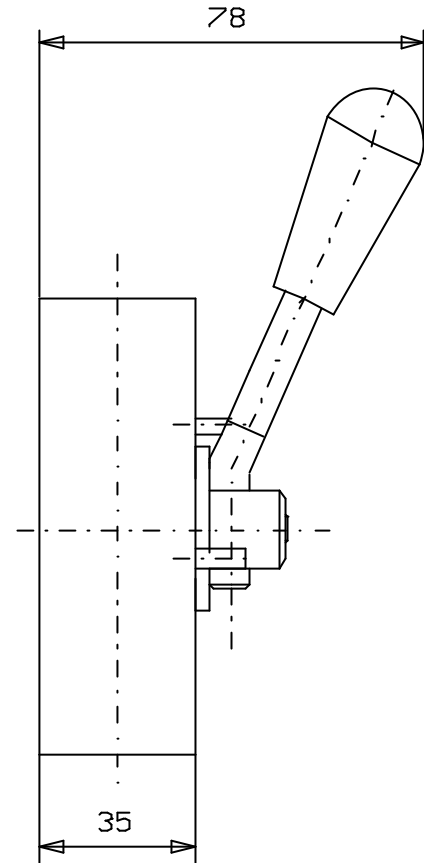
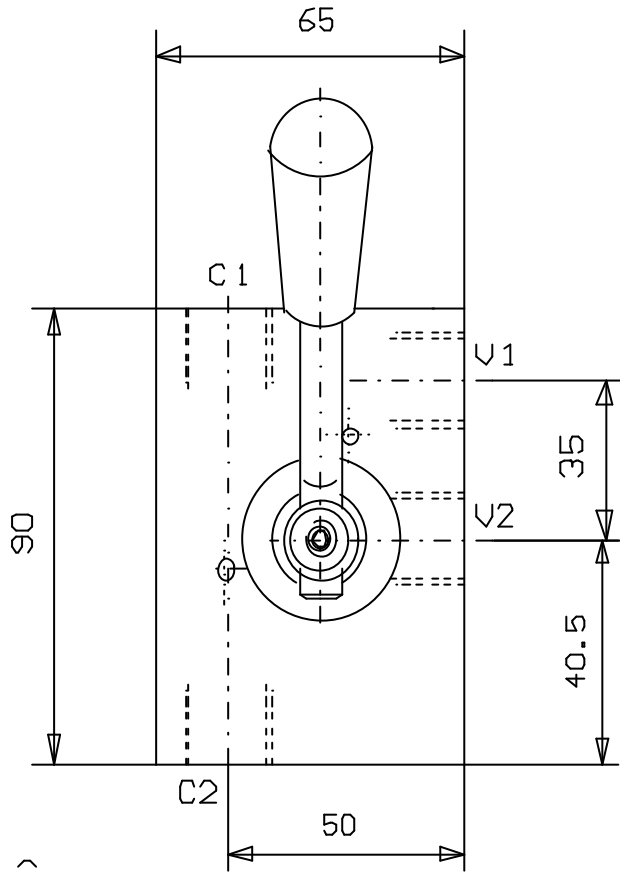
PILOT OPERATED CHECK VALVES, INTERNAL PILOT, OPERATED TYPE, SINGLE ACTING,
WITH MANUAL LEVER CONTROL (LH), FACE MOUNTING

Tipo/Type:

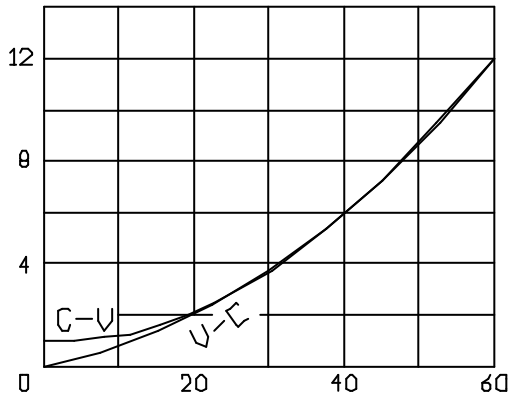
VUPR/S 120

1

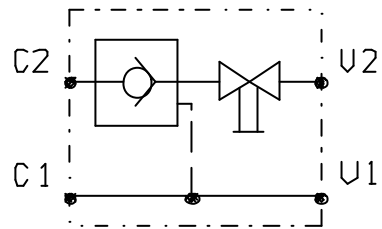
15.11



Pressione - Pressure Δp (Bar)



Portata - Flow Q (l/min)



| U1 - C1 U2 - C2 | Press. max. (Bar) | Apertura (Bar) | Rapp. pilot. |
|--------------------|------------------------|---------------------|-----------------|
| G 1/2 | 350 | 0.5 | 4:1 |