



**VALVOLA DI BLOCCO PILOTATA SEMPLICE EFFETTO
IN LINEA CON RUBINETTO (SX) E RIDUZIONI**

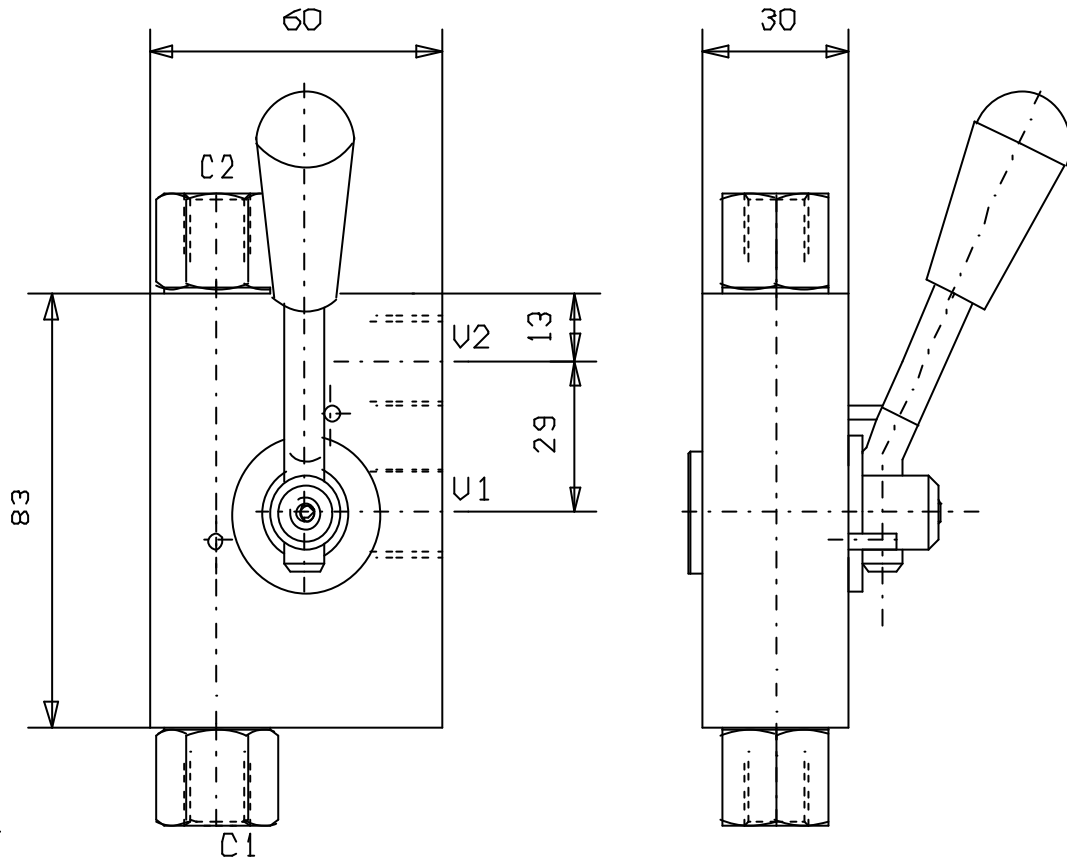
PILOT OPERATED CHECK VALVES, INTERNAL PILOT, OPERATED TYPE, SINGLE ACTING,
LINE MOUNTING, WITH MANUAL LEVER CONTROL (LH) AND PORT REDUCTIONS

Tipo/Type:

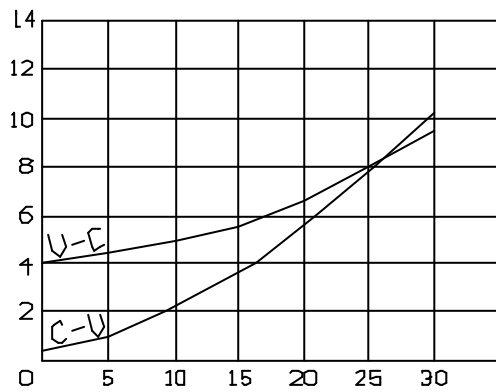
VUPR/S R14

1

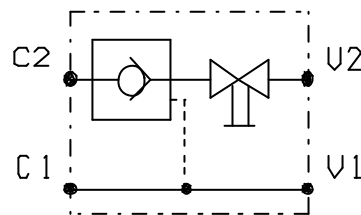
16.01



Pressiane - Pressure Δp (Bar)



Portata - Flow Q (l/min)



| U1 - U2 | C1 - C2 | Press. max. (Bar) | Apertura (Bar) | Rapp. pilot. |
|---------|---------|------------------------|---------------------|-----------------|
| G 3/8 | G 1/4 | 350 | 0.5 4 | 4:1 |