



VALVOLA DI BLOCCO PILOTATA DOPPIO EFFETTO
IN LINEA

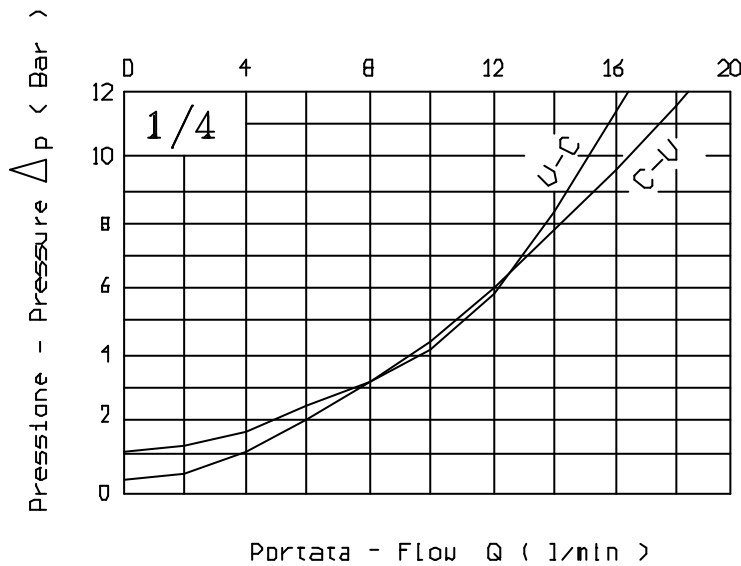
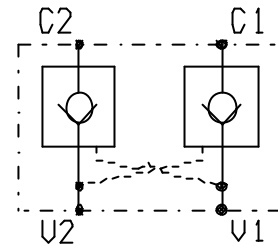
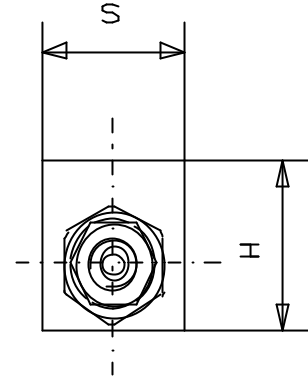
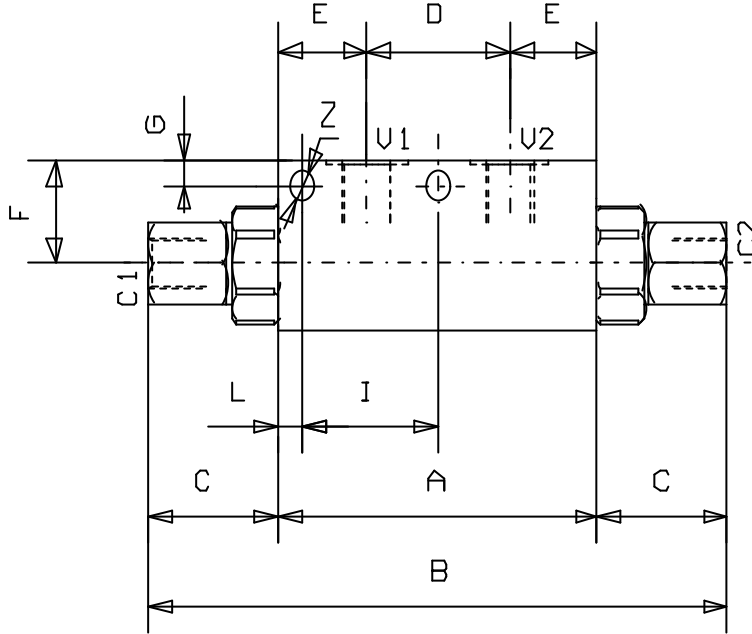
PILOT OPERATED CHECK VALVES, INTERNAL PILOT, OPERATED TYPE, DOUBLE ACTING,
LINE MOUNTING

Tipo/Type:

VRP/DE/L 14

1

21.00



Press. max.
(Bar)
350

A richiesta
On request
Rapp. pilot.
VRP/DE/L 14 4:1

CODICE	U1-C1 U2-C2	A	B	C	D	E	F	G	H	I	L	S	Z	Rapp. pilot.
VRP/DE/L 14	B 1/4	80	145	32.5	36	22	24	6	40	34	6	35	6.5	4:1