



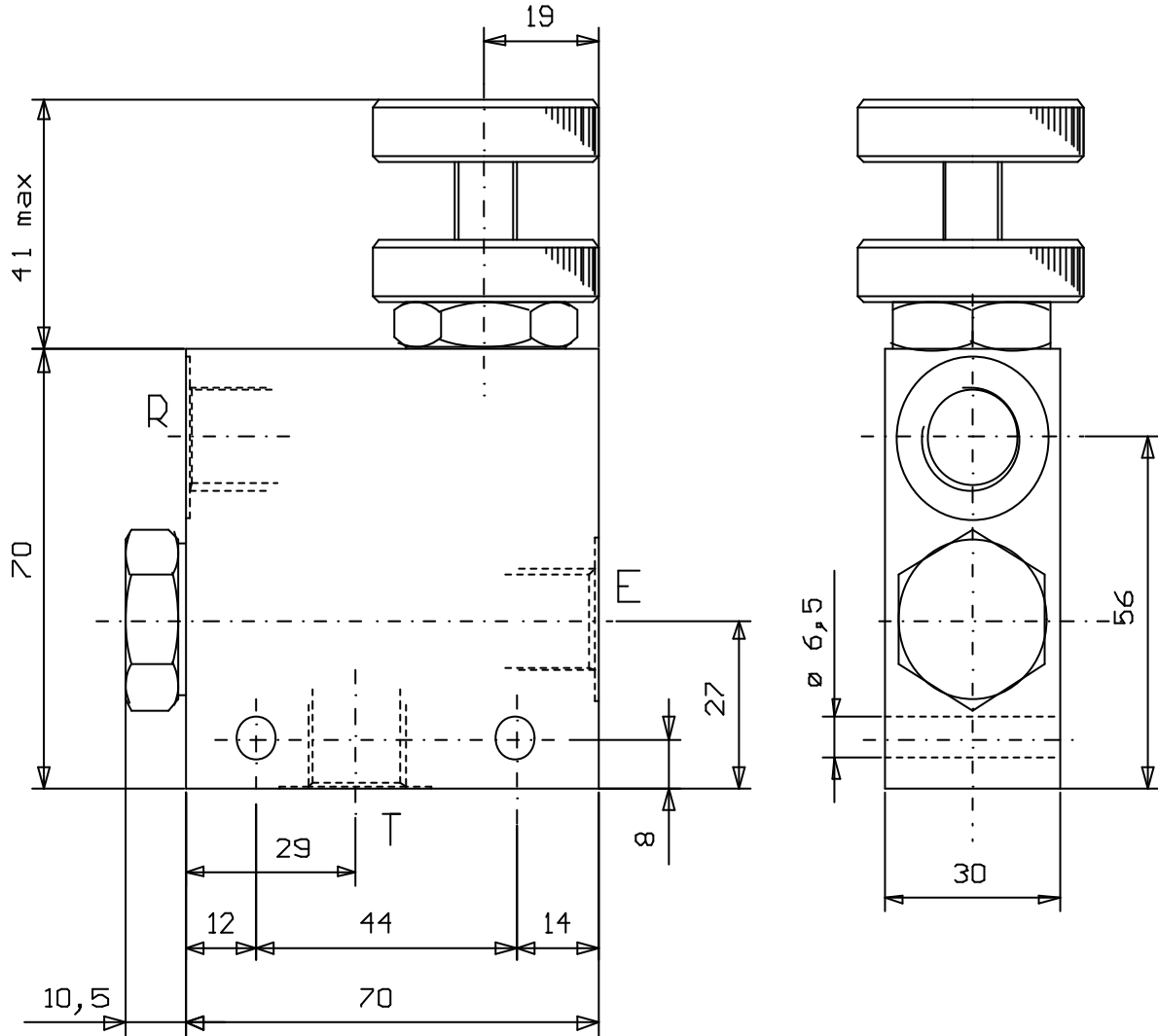
REGOLATORE DI FLUSSO, 3 VIE, COMPENSATO

THREE WAY, PRESSURE COMPENSATED FLOW REGULATORS

Tipo/Type: VRF/C/3V ...

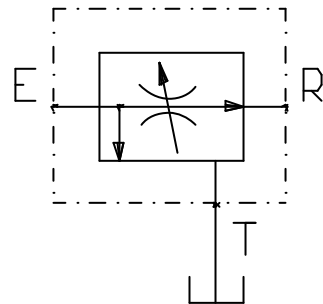
2

04.00



$Q_E$ max (l/min)	$Q_R$ max (l/min)
40	25

Press. max. ( Bar )
210



CODICE	ATTACCHI/PORTS: E-R-T
VRF/C/3V 14	G 1/4
VRF/C/3V 38	G 3/8