



VALVOLA DI BILANCIAMENTO, A CARTUCCIA
SERIE "TR"

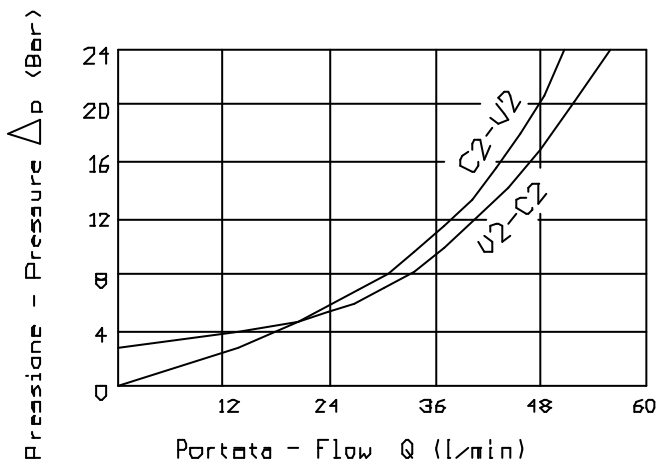
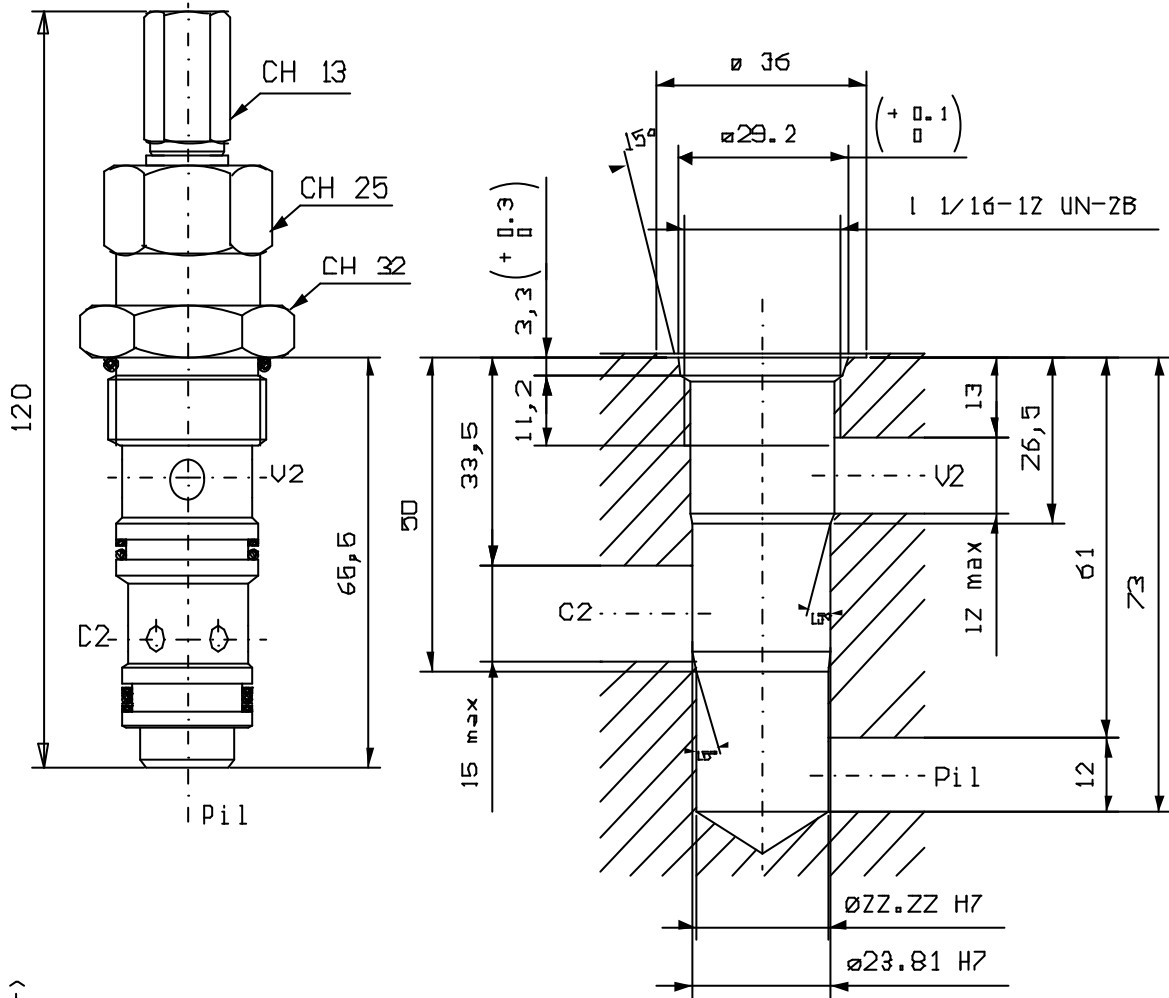
PILOT ASSISTED, CARTRIDGE TYPE, SERIES "TR" OVERCENTRE

Tipo/Type:

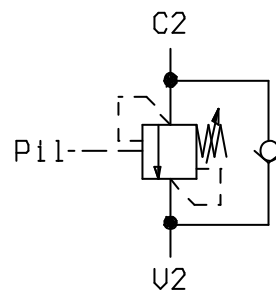
VBSE/TR/C 30

5

33.00



CAVITY 50030



Rapp. Pilot.
4.2:1

Press. max. (Bar)
350

Portata max. (l/min)
60