



**BLOCCO CURSORE DOPPIO EFFETTO  
PER DISTRIBUTORI HYDROCONTROL HC-D4**

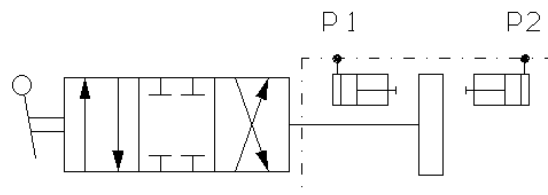
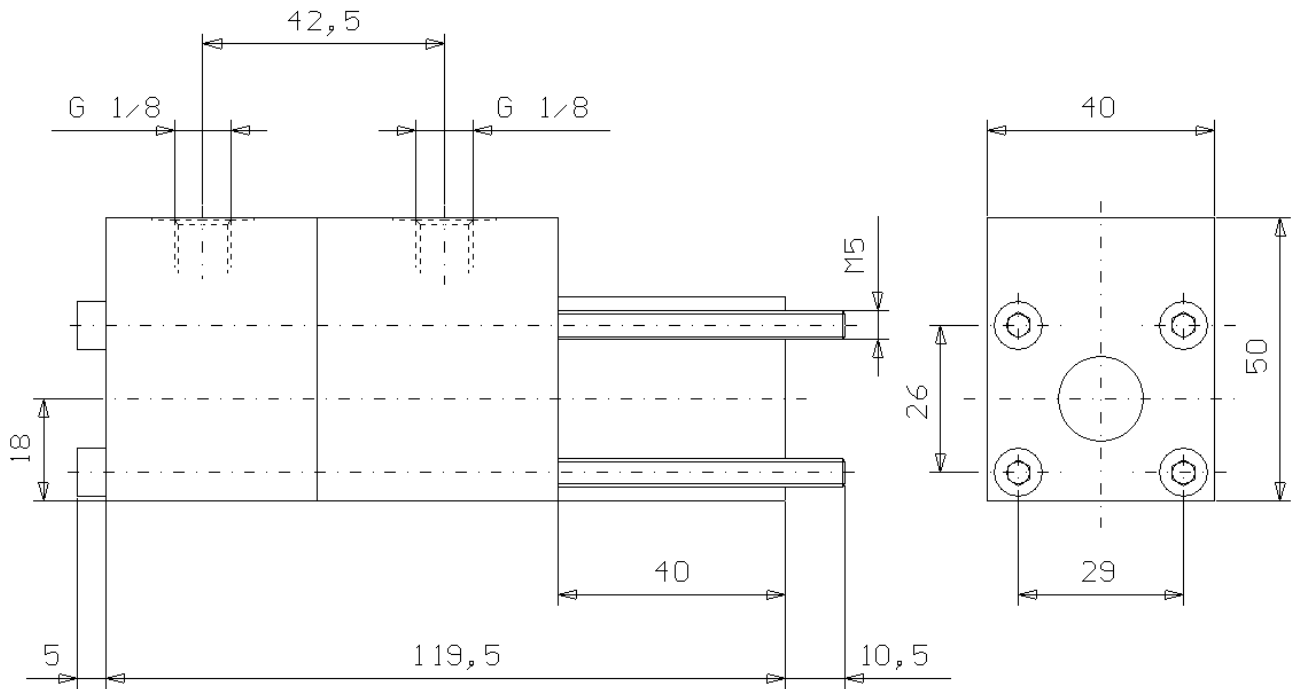
SLIDER BLOCK, DOUBLE ACTING, FOR HYDROCONTROL'S DISTRIBUTOR HC-D4

Tipo/Type:

**BLC/DE/HC-D4**

**6**

**02.20**



Press. max. ( Bar )
290