



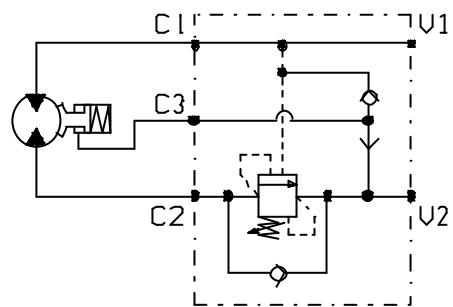
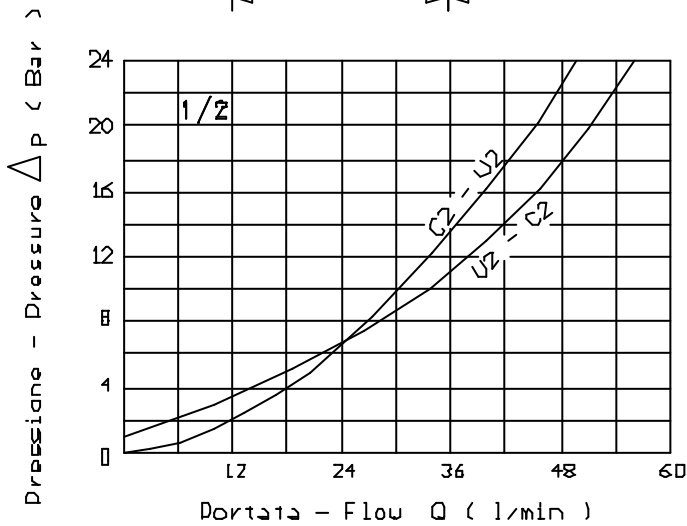
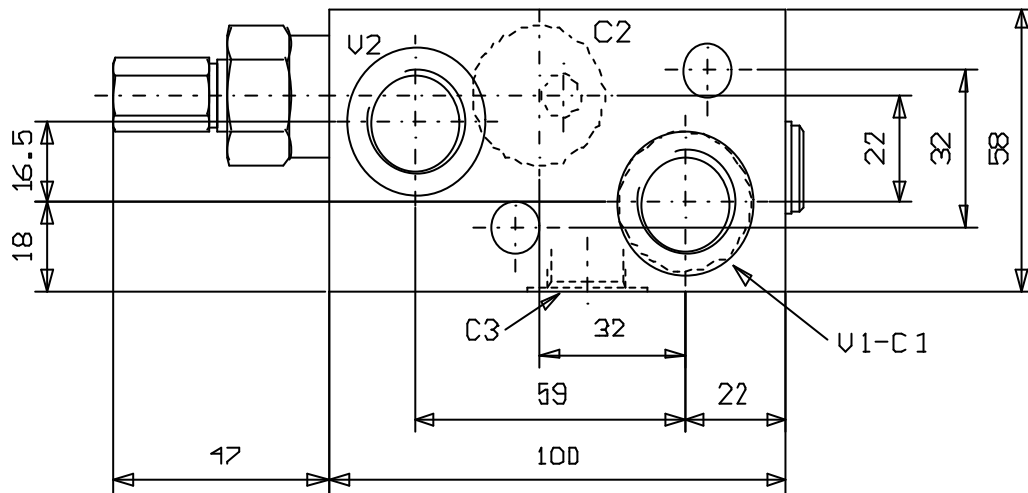
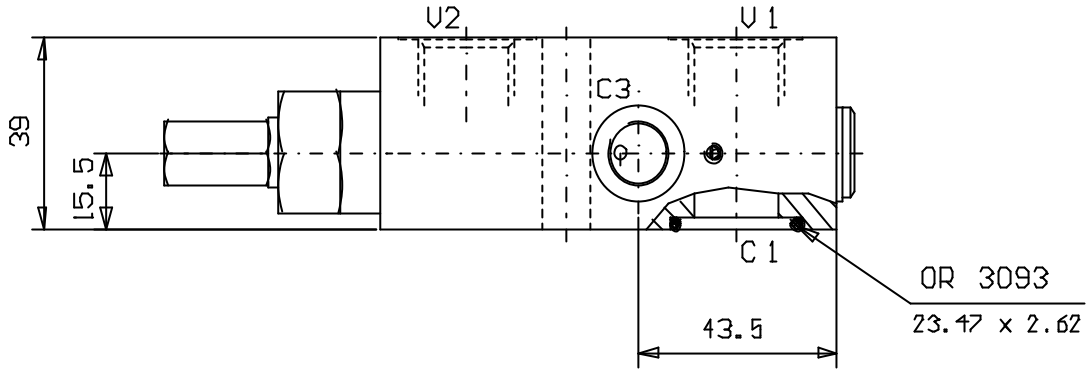
VALV. DI BILANCIAMENTO, SEMPL. EFF., SERIE "TR"  
 FLANG. SU MOTORI DANFOSS OMS, OMSW, OMSS CON SBLOCCO FRENO

PILOT ASSISTED, SERIES "TR", OVERCENTRE VALVES  
 FLANGEABLE UPON DANFOSS MOTORS SERIES OMS, OMSW, OMSS WITH BRAKE UNCLIPPING

Tipo/Type: VBSE/TR/FL/OMS 120/SF

7

04.20



|                        |
|------------------------|
| Press. max.<br>( Bar ) |
| 350                    |

| ATTACCHI |       |
|----------|-------|
| U1 - U2  | G 1/2 |
| C3       | G 1/4 |

|                 |
|-----------------|
| Rapp.<br>Pilot. |
| 4.2:1           |

|                           |
|---------------------------|
| Portata max.<br>( l/min ) |
| 60                        |