



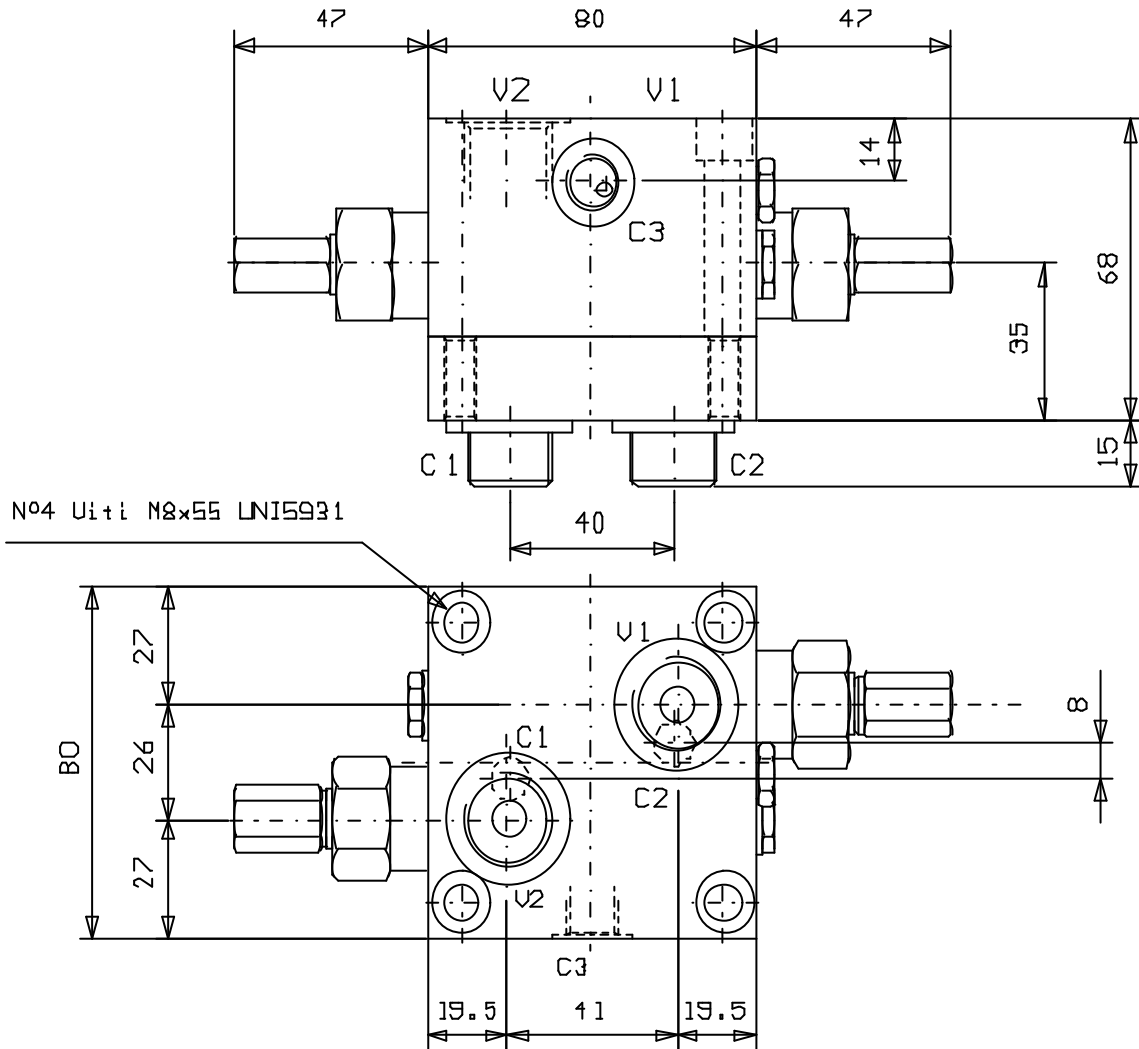
VALVOLA DI BILANCIAMENTO DOPPIA CON SBLOCCO FRENO  
 FLANGIABILE SU MOTORI SAMHYDRAULIK: AG,AR,BG,BR

DUAL OVERCENTRE VALVE, FACE MOUNTING, FOR SAMHYDRAULIK MOTORS: AG,AR,BG,BR SERIES  
 WITH BRAKE UNCLIPPING

Tipo/Type: VBDE/TR/FL/BG 120/SF

7

20.40



N°4 Uiti M8x55 LNI5931

ATTACCHI	
V1 - V2	G 1/2
C1 - C2	∅ 12
C3	G 1/4

Rapp. Pilot.
4.2:1

Press. max. (Bar)
250

Portata max. (l/min)
60

