



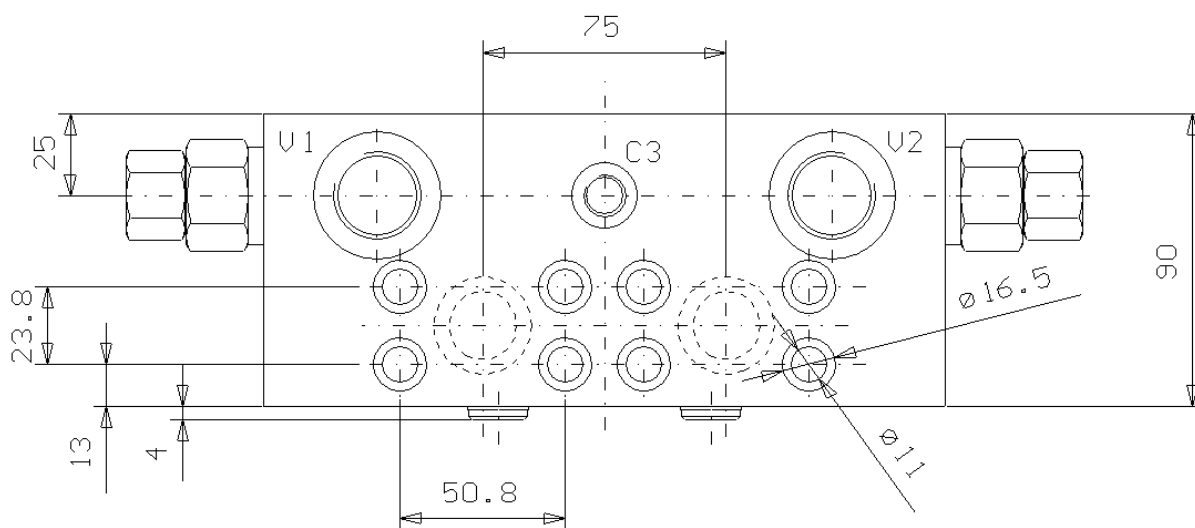
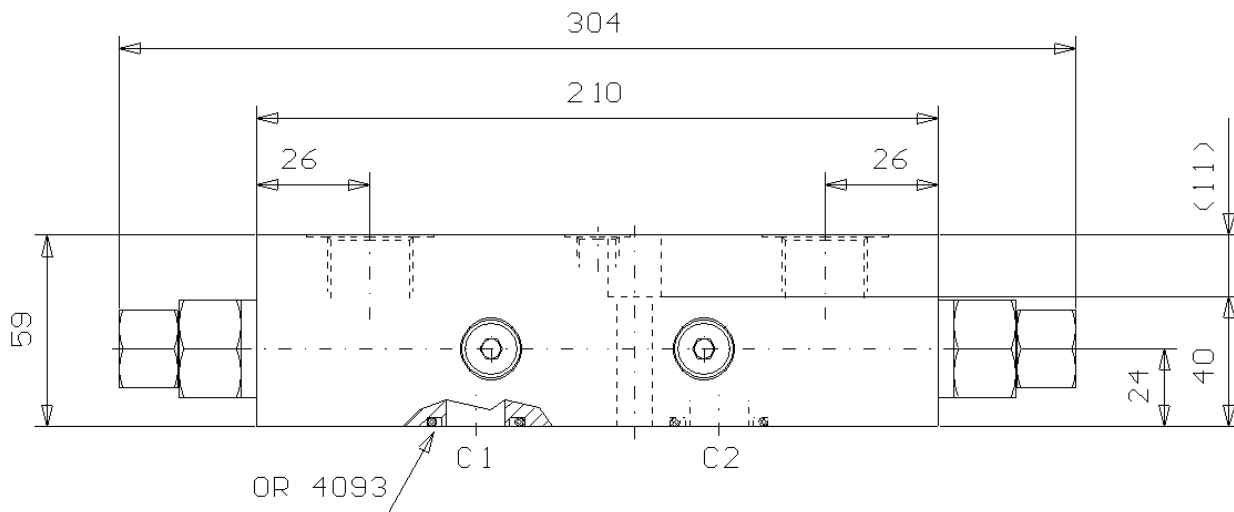
VALV. DI BILANCIAM. DOPPIA CON SBLOCCO FRENO
 FLANGIABILE SU MOTORI REXROTH SERIE A2FE 45-56-63

DUAL PILOT ASSISTED OVERCENTRE VALVE WITH BRAKE UNCLIPPING,
 FLANGEABLE ON REXROTH MOTORS "A2FE 45-56-63" SERIES

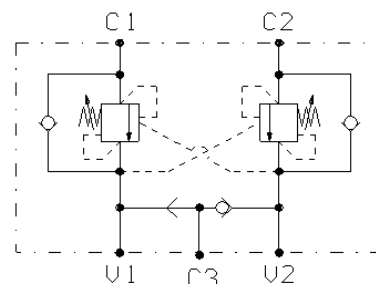
Tipo/Type: **VBDE/TE/FL2/RX 340/SF**

7

71.15



| ATTACCHI | |
|----------|--------------|
| U1 - U2 | G 3/4 |
| C1 - C2 | 1/2 SAE 6000 |
| C3 | G 1/4 |



| Rapp. Pilot. | |
|---------------------------|-----|
| STANDARD | 4:1 |
| A richiesta On request | 8:1 |

| Press. max. (Bar) |
|----------------------|
| 350 |

| Portata max. (l/min) |
|-------------------------|
| 120 |